

Name _____ Sect _____

A pyramid shape terrarium has a base that measure 12" by 16". If the volume of the terrarium is 896 cu in, what is the height of the terrarium?

A can of beans has a volume of 549.5 cu cm. If the radius of the can's lid is 5 cm, what is the height of the can?

Identify the shape of the solid and solve for the volume:

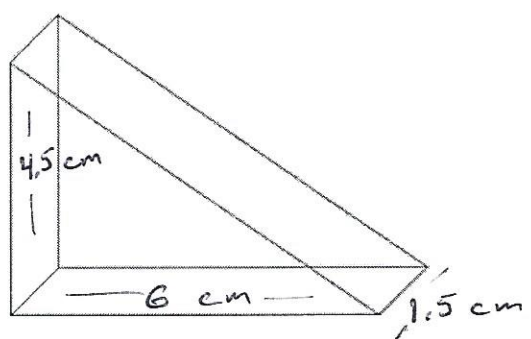
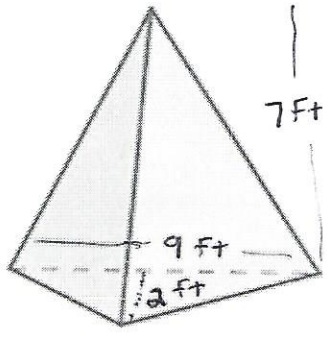
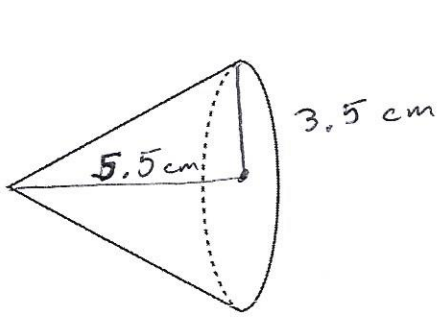


Figure: _____

Figure: _____

Figure: _____

Vol:

Vol:

Vol:

Composite Volumes:

Find the volume of the composite solids:

